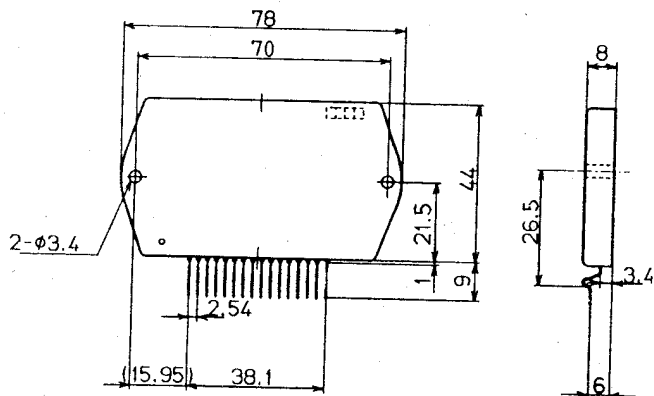
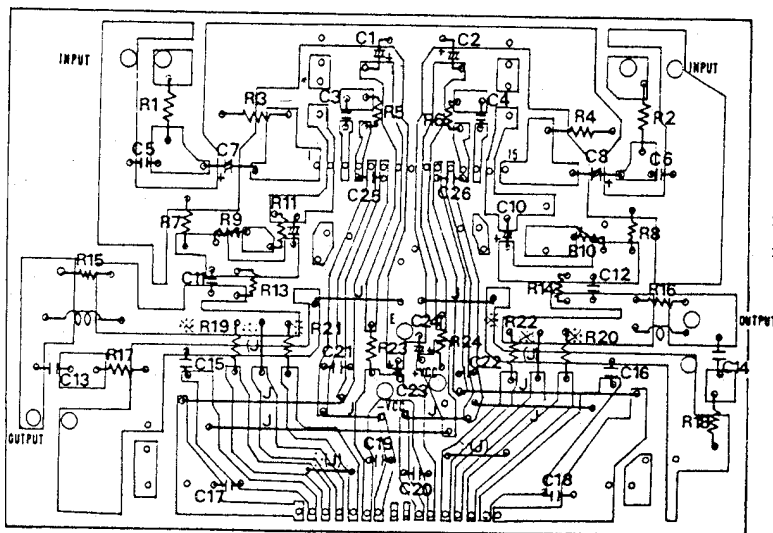


■ PACKAGE DIMENSION



■ BACK VIEW



- | | | | |
|-----------|-----------|---------|-----------------------|
| R1,R2 | 220 Ω | C1,C2 | 47 μ |
| R3,R4 | 33K Ω | C3,C4 | 68P |
| R5,R6 | 470 Ω | C5,C6 | 330P |
| R7,R8 | 3.3KΩ | C7,C8 | 1 μ |
| R9,R10 | 20KB | C9,C10 | 1 μ |
| R11,R12 | 22K Ω | C11,C12 | 7P |
| R13,R14 | 68K Ω | C13,C14 | 0.47 μ(mylar) |
| R15,R16 | 4.7 Ω | C15,C16 | 1 μ(with both |
| R17,R18 | 4.7 Ω(2W) | C17,C18 | 150P channels driven) |
| * R19,R20 | 0.22Ω | C19,C20 | 150P |
| * R21,R22 | 0.22Ω | C21,C22 | 0.47 μ(mylar) |
| R23,R24 | 100 Ω(2W) | C23,C24 | 4.7 μ |
| | | C25,C26 | 15P |
- Coil: 3 μH

	* R19,R20 R21,R22	*(J)
STK2230 STK2240	without	with
STK2030 STK2040	with	without