

800mA Low Dropout Positive Adjustable Regulator

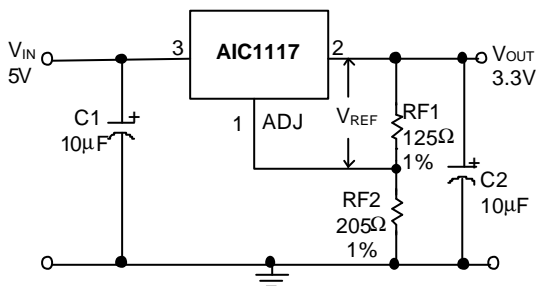
FEATURES

- Dropout Voltage 1.2V at 800mA Output Current.
- Fast Transient Response.
- Line Regulation typically at 0.015%.
- Load Regulation typically at 0.1%.
- Internal Thermal and Current Limiting.
- Adjustable Output Voltage or Fixed 2.85V, 3.3V, 5V.
- Standard 3-Pin Power Packages.

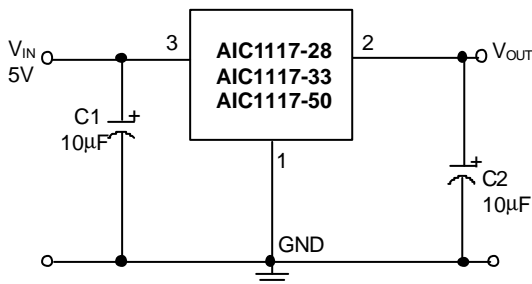
APPLICATIONS

- SCSI-2 Active Terminator.
- Post Regulator for Switching Supply.
- Battery Chargers.
- Constant-Current Regulators.
- PC Add-On Card.

TYPICAL APPLICATION CIRCUIT



Adjustable Voltage Regulator



Fixed Voltage Regulator

DESCRIPTION

The AIC1117 is a low dropout three terminal regulator with 800mA output current capability. The output voltage is adjustable with the use of a resistor divider. For fixed output voltage versions, the output voltage is internally set at 2.85V, 3.3V or 5V. Dropout is guaranteed at a maximum of 1.3V at maximum output current. Its low dropout voltage and fast transient response make it ideal for low voltage microprocessor applications. Internal current and thermal limiting provides protection against any overload condition that would create excessive junction temperatures.

$$V_{REF} = V_{OUT} - V_{ADJ} = 1.25V \text{ (typ.)}$$

$$V_{OUT} = V_{REF} \times (1 + RF2/RF1) + I_{ADJ} \times RF2$$

$$I_{ADJ} = 55\mu A \text{ (typ.)}$$

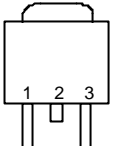
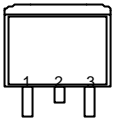
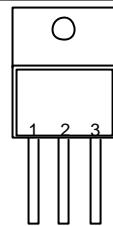
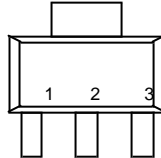
(1) C1 needed if device is far away from filter capacitors.

(2) C2 required for stability.

ORDERING INFORMATION

AIC1117-XXXX

┌───┐	PACKAGING TYPE
	E: TO-252 M: TO-263 T: TO-220 Y: SOT-223
└───┘	TEMPERATURE RANGE
	C: 0°C~+70°C
└───┘	OUTPUT VOLTAGE
	DEFAULT: ADJ.
	28: 2.85V
	33: 3.3V 50: 5.0V

ORDER NUMBER	PIN CONFIGURATION
AIC1117CE (TO-252)	FRONT VIEW 1: ADJ (GND) 2: VOUT (TAB) 3: VIN 
AIC1117CM (TO-263)	FRONT VIEW 1: ADJ (GND) 2: VOUT (TAB) 3: VIN 
AIC1117CT (TO-220)	FRONT VIEW 1: ADJ (GND) 2: VOUT (TAB) 3: VIN 
AIC1117CY (SOT-223)	FRONT VIEW 1: ADJ (GND) 2: VOUT (TAB) 3: VIN 

ABSOLUTE MAXIMUM RATINGS

VIN pin to ADJ/ GND pin	7V
Operating Junction Temperature Range	0°C ~ 125°C
Storage Temperature Range	- 65°C ~ 150°C
Thermal Resistance (Junction to Case)	TO-220 3°C /W
	TO-252 12.5°C /W
	SOT-223 15°C /W
Lead Temperature (Soldering) 10 sec.	260°C

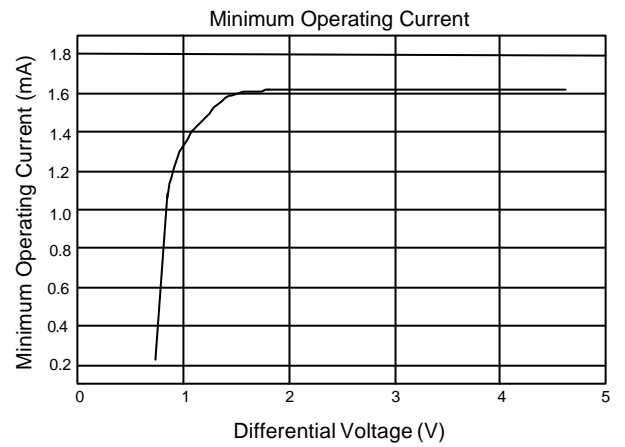
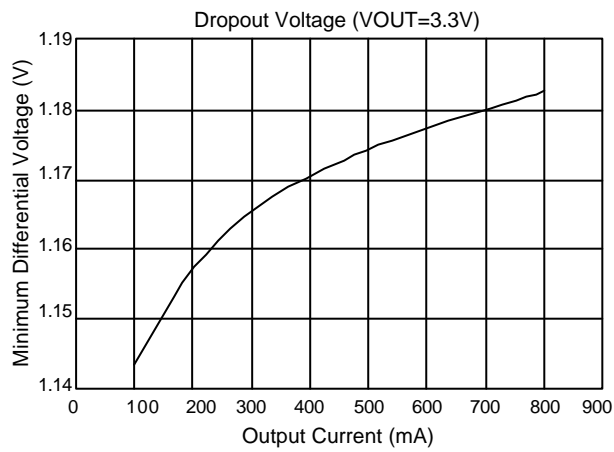
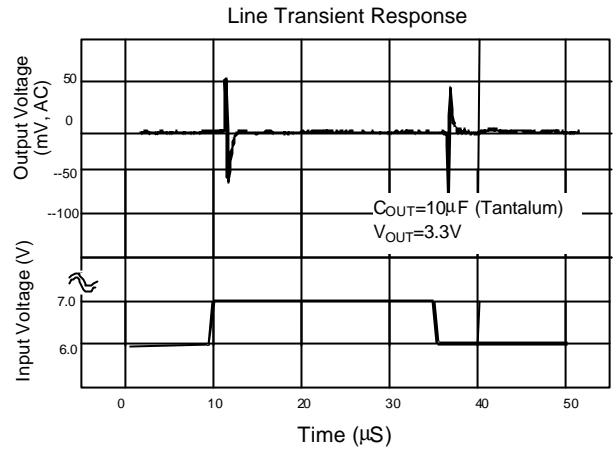
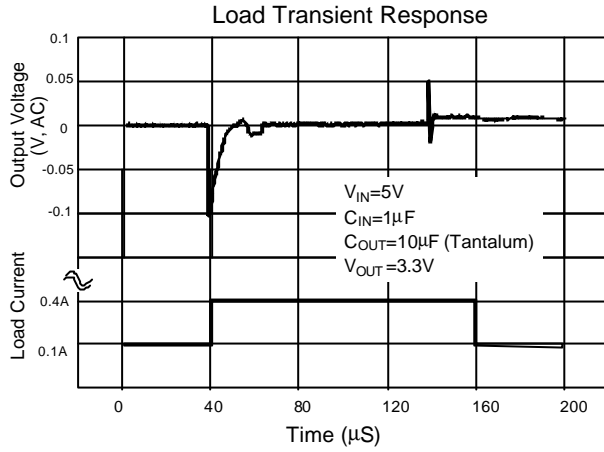
TEST CIRCUIT

Refer to TYPICAL APPLICATION CIRCUIT.

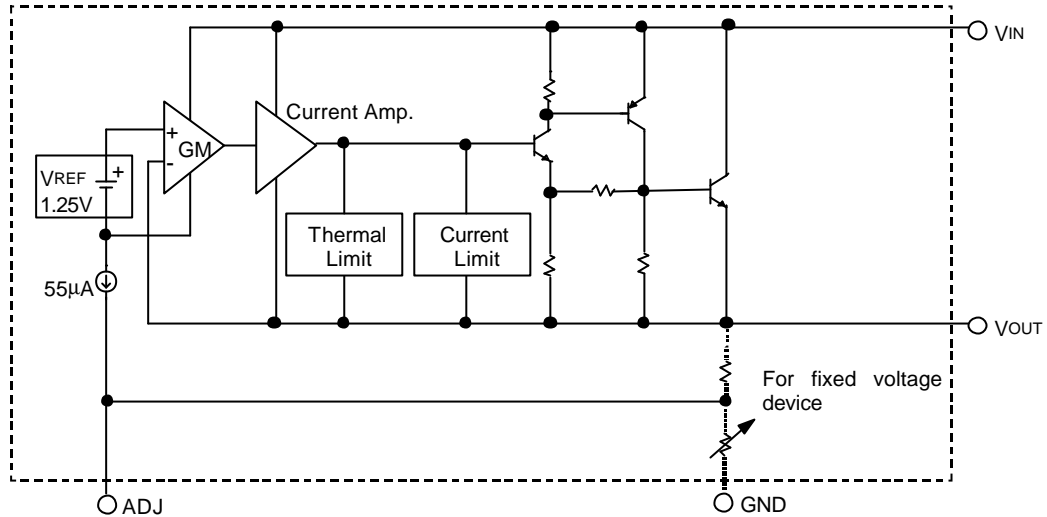
ELECTRICAL CHARACTERISTICS ($V_{IN}=5V$, $T_J=25^\circ C$, $I_O=10mA$, Unless otherwise specified)

PARAMETER	TEST CONDITIONS	MIN.	TYP.	MAX.	UNIT
Reference Voltage	AIC1117 (Adj.) $T_J=25^\circ C$ $0^\circ C \leq T_J \leq 125^\circ C$	1.238 1.225	1.25 1.25	1.262 1.275	V
Output Voltage	AIC1117-28, $V_{IN}=5V$ AIC1117-33, $V_{IN}=5V$ AIC1117-50, $V_{IN}=7V$	2.82 3.26 4.95	2.85 3.30 5.00	2.88 3.33 5.05	V
Line Regulation	$2.65 \leq V_{IN} \leq 7V$ $T_J=25^\circ C$ $0^\circ C \leq T_J \leq 125^\circ C$		0.015 0.035	0.2 0.2	%
Load Regulation	$T_J=25^\circ C$, $I_O=10\sim 800mA$ $0^\circ C \leq T_J \leq 125^\circ C$		0.1 0.2	0.3 0.4	%
Dropout Voltage	ΔV_{OUT} , $\Delta V_{REF}=1\%$ $10mA \leq I_O \leq 800mA$ $0^\circ C \leq T_J \leq 125^\circ C$		1.2	1.4	V
Current Limit	$0^\circ C \leq T_J \leq 125^\circ C$	0.85			A
Adjusted Pin Current (I_{ADJ})	$2.65 \leq V_{IN} \leq 7V$ $10mA \leq I_O \leq 800mA$ $0^\circ C \leq T_J \leq 125^\circ C$		55	120	μA
Adjusted Pin Current Change (ΔI_{ADJ})	$2.65 \leq V_{IN} \leq 7V$ $10mA \leq I_O \leq 800mA$ $0^\circ C \leq T_J \leq 125^\circ C$		0.2	5	μA
Temperature Stability	$I_O=0.5A$ $0^\circ C \leq T_J \leq 125^\circ C$		0.5		%
Minimum Load Current	$0^\circ C \leq T_J \leq 125^\circ C$		5	10	mA
RMS Output Noise (% of V_{OUT})	$10Hz \leq f \leq 10KHz$		0.003		%
Ripple Rejection Ratio	120Hz input ripple $C_{OUT}=25\mu F$	60	72		dB

■ TYPICAL PERFORMANCE CHARACTERISTICS



■ BLOCK DIAGRAM

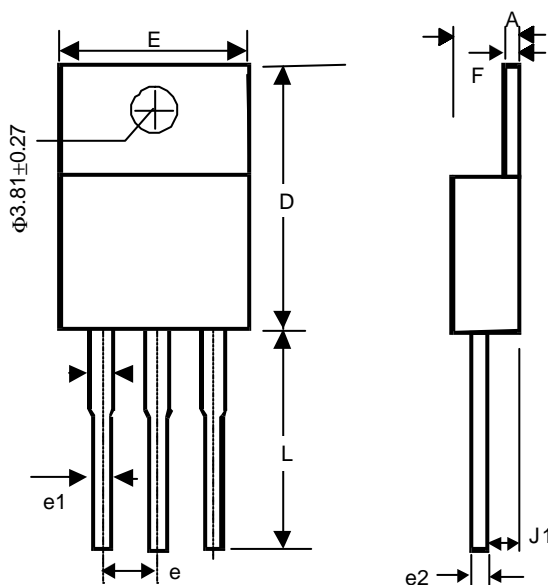


■ PIN DESCRIPTIONS

- ADJ PIN - Providing $V_{REF}=1.25V$ (typ.) for adjustable V_{OUT} . $V_{REF}=V_{OUT}-V_{ADJ}$ and $I_{ADJ}=55\mu A$ (typ.)
- (GND PIN - Power ground.)
- VOUT PIN - Adjustable output voltage.
- VIN PIN - Power Input.

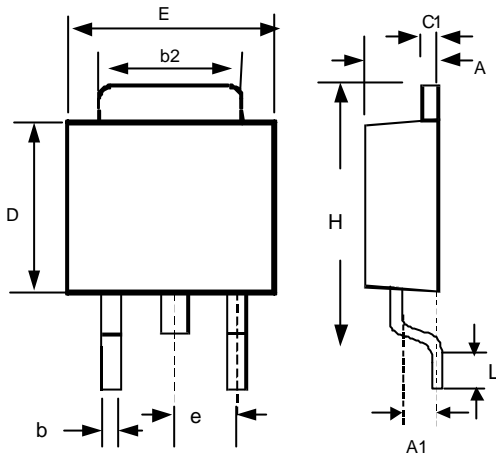
■ PHYSICAL DIMENSIONS

- TO-220 (unit: mm)



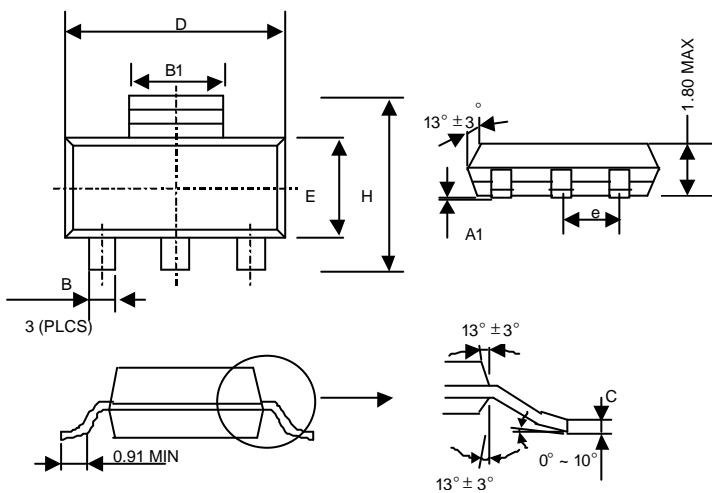
SYMBOL	MIN	MAX
A	3.56	4.82
D	14.23	16.51
E	9.66	10.66
e	2.29	2.79
e1	0.50	1.15
e2	-	1.10
F	0.51	1.39
J1	2.04	2.92
L	12.70	14.73

● TO-252 (unit: mm)



SYMBOL	MIN	MAX
A	2.19	2.38
A1	1.02	1.27
b	0.64	0.88
b2	5.21	5.46
C1	0.46	0.58
D	5.33	5.59
E	6.35	6.73
e	2.28 (TYP.)	
H	9.40	10.42
L	0.51	-

● SOT-223

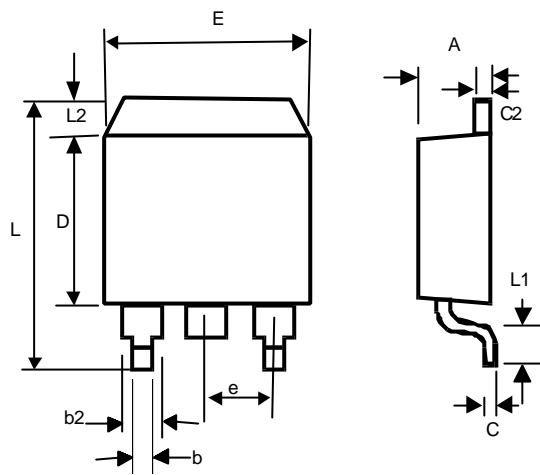


SYMBOL	MIN	MAX
A1	0.02	0.12
B	0.60	0.80
B1	2.90	3.15
C	0.24	0.35
D	6.30	6.80
E	3.30	3.70
e	2.30 (TYP.)	
H	6.70	7.30

● SOT-223 Marking

Part No.	Marking
AIC1117CY	AK17
AIC1117-28	AK28
AIC1117-33	AK33
AIC1117-50	AK50

● TO-263 (unit: mm)



SYMBOL	MIN	MAX
A	4.06	4.83
b	0.50	1.00
b2	1.14	1.40
C	-	0.7
c2	1.14	1.40
D	8.63	9.66
E	9.65	10.29
e	2.54 (TYP.)	
L	14.60	15.88
L1	2.28	2.80
L2	-	1.40