

CODIGO

MKTXXX-100-5

DESCRIPCION

Poliester metalizado

**Metallized Polyester Film Capacitor,
 Mini Box Type with 5mm Pitch**

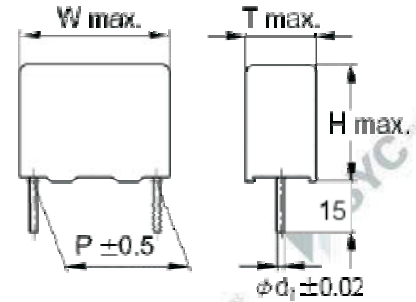
MEE are non-inductively wound with metallized Polyester film as dielectric and encapsulated in plastic case with epoxy resin filled.

Features

- High moisture resistance.
- Good solder ability.
- Self-healing properties.
- Space-saving small size.

Specifications

1. Operating Temperature Range: -25°C ~ +65°C For between +65°C ~ +105°C, a decreasing factor of 1.25%/°C on the rated voltage have to be applied.
2. Capacitance Range: 0.001 μF ~ 2.2 μF
3. Capacitance Tolerance: +/-5%(J), +/-10%(K)
4. Rated Voltage: 63VDC, 100VDC
5. Dissipation Factor: 1.0% max. at 1KHz, 25°C
6. Insulation Resistance: >15,000 MΩ for C ≤ 0.33 μF, ≥5000 s for C > 0.33 μF & ≤ 1 μF
7. Test Voltage Between Terminal: 1.4 X VR applied for 2 sec at 25°C±5°C



RV CAP(μF) SIZE	63VDC					100VDC					Packing units(pcs) Ammo pack
	W	H	T	P	dφ	W	H	T	P	dφ	
0.0010						7.2	6.5	2.5	5.0	0.5	2000
0.0015			→			7.2	6.5	2.5	5.0	0.5	
0.0022						7.2	6.5	2.5	5.0	0.5	2000
0.0033			→			7.2	6.5	2.5	5.0	0.5	
0.0047						7.2	6.5	2.5	5.0	0.5	2000
0.0068			→			7.2	6.5	2.5	5.0	0.5	
0.010						7.2	6.5	2.5	5.0	0.5	2000
0.015			→			7.2	6.5	2.5	5.0	0.5	
0.022						7.2	6.5	2.5	5.0	0.5	2000
0.033			→			7.2	6.5	2.5	5.0	0.5	
0.047						7.2	6.5	2.5	5.0	0.5	2000
0.068			→			7.2	6.5	2.5	5.0	0.5	
0.10						7.2	6.5	2.5	5.0	0.5	2000
0.15	7.2	6.5	2.5	5.0	0.5						
						7.2	6.5	3.0	5.0	0.5	1500
0.22	7.2	6.5	2.5	5.0	0.5						2000
						7.2	8.0	3.0	5.0	0.5	1500
0.33	7.2	6.5	3.0	5.0	0.5	7.2	8.0	3.5	5.0	0.5	1500
0.47	7.2	8.0	3.5	5.0	0.6	7.3	9.5	4.5	5.0	0.6	1500
0.68	7.3	9.5	4.5	5.0	0.6	7.5	10.5	6.0	5.0	0.6	1000
1.00	7.3	9.5	4.5	5.0	0.6						1000
						7.8	13.0	7.8	5.0	0.6	500
1.50	7.5	10.5	6.0	5.0	0.6						1000
2.20	7.8	13.0	7.8	5.0	0.6						500

Unit:mm