

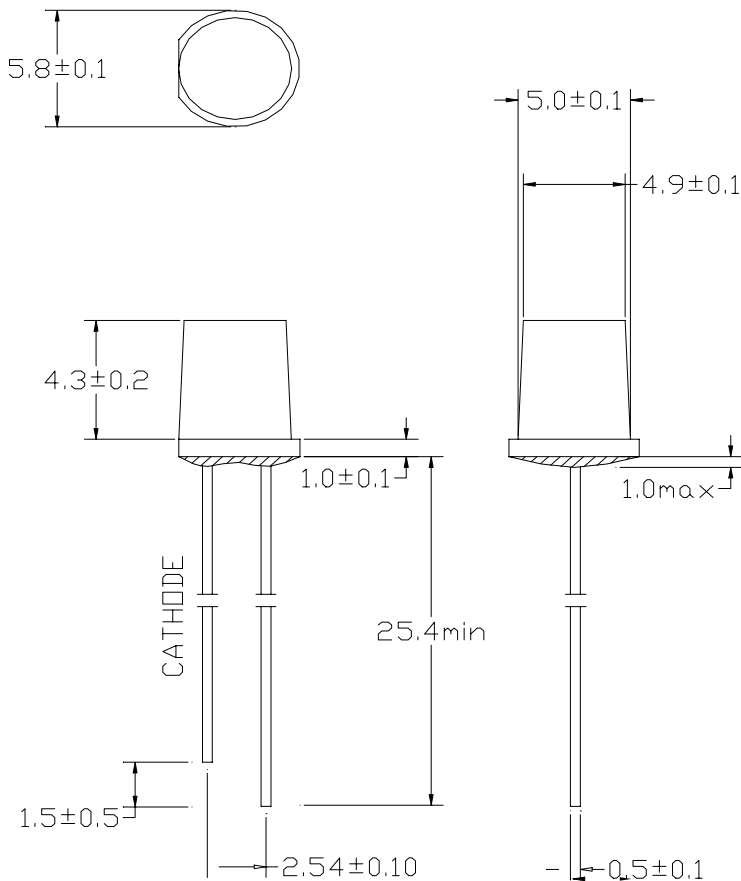
LED-130-25150

➤ Features:

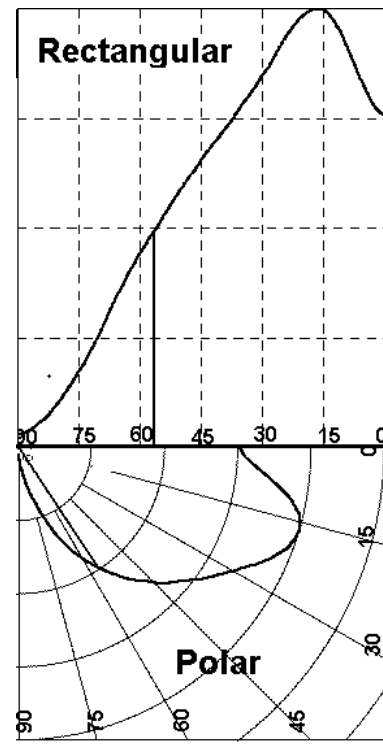
- Single color
- High bright output
- Large view angle
- Low power consumption
- High reliability and long life

➤ Descriptions:

- Dice material: AlGaInP
- Emitting Color: Super Bright Red
- Device Outline: ϕ 5mm Round Flat Top
- Lens Type: Water Clear



HALF LIGHT PATTERN:



1. All dimensions are millimeters: mm.
2. Tolerance is ± 0.25 mm unless otherwise noted.

LED SPECIFICATION

➤ **Absolute maximum ratings (Ta = 25°C)**

Parameter	Symbol	Test Condition	Values		Unit
			Min.	Max.	
Reverse Voltage	V _R	I _R = 30 μ A	5	--	V
Forward Current	I _F	----	----	30	mA
Power Dissipation	P _d	----	----	75	mW
Pulse Current	I _{peak}	Duty=0.1mS, 1kHz	----	100	mA
Operating Temperature	T _{opr}	----	-20	+85	°C
Storage Temperature	T _{str}	----	-25	+100	°C

➤ **Electrical and optical characteristics (Ta = 25°C)**

Parameter	Symbol	Test Condition	Values			Unit
			Min.	Typ.	Max.	
Forward Voltage	V _F	I _F =20mA	----	2.0	2.5	V
Reverse Current	I _R	V _R =5V	----	----	30	μ A
Dominate Wavelength	λ _d	I _F =20mA	620	624	630	nm
Peak Wavelength	λ _p	I _F =20mA	----	632	----	nm
Spectral Line half-width	Δ λ	I _F =20mA	----	20	----	nm
Luminous Intensity	I _v	I _F =20mA		BIN	----	mcd
Viewing Angle	2 θ 1/2	I _F =20mA	----	100	----	deg.

➤ **Luminous Intensity Bins (Ta = 25°C)**

Unit:mcd

Bin	L	M	N	P
Min	102	145	200	280
Max	145	200	280	390

LED SPECIFICATION

➤ Typical electrical/optical characteristic curves:

