



APPROVED DATA SHEET

Model: 1000851890(VMN-10L-02A2-B-Z)
 =====

ISSUED DATE: AUG.13.2008

APPROVED NO.: 1000851890.A

PAGE: 1/4

The undersigned guarantee of the model switches is meets the following specifications.

1.Operation Characteristics

Operating Force (OF)	:	Max. 50 gf	
Releasing Force (RF)	:	Min. 9 gf	
Operating Position (OP)	:	15.3±1.5 mm	2008.08.14
Movement Differential (MD)	:	Max. 0.76 mm	
Over-travel (OT)	:	Min. 1.6 mm	
Pre-travel (PT)	:	Max. 3.18 mm	

2. Specifications

Initial Contact Resistance	:	Max. 100 mΩ . Before measure the switch contact resistance, please press the switch three times on and off.
Initial Dielectric Strength	:	1,000VAC(50-60HZ)/minute between contacts. 1,500VAC(50-60HZ)/minute between Live-parts and dead metal parts.
Initial Insulation Resistance	:	Min. 100 MΩ (500 VDC/ minute) between Live-parts and dead metal parts.
Circuit Arrangement	:	SPST (Single pole single throw)
Rating	:	10A 125/250VAC
Service Life	:	Min. 10,000 operations.
Rating Load	:	Resistive Load.
Operating Frequency	:	10~30 operations per minute.
Safety Certificate	:	As enclosed marking drawing. UL, cUL, CSA, ENEC14
Mechanical Service Life	:	Min. 10,000,000 operations.
Operating Frequency	:	Max. 120 operations per minute.



APPROVED DATA SHEET

Model: 1000851890(VMN-10L-02A2-B-Z)
=====

ISSUED DATE: AUG.13.2008

APPROVED NO.: 1000851890.A

PAGE: 2/4

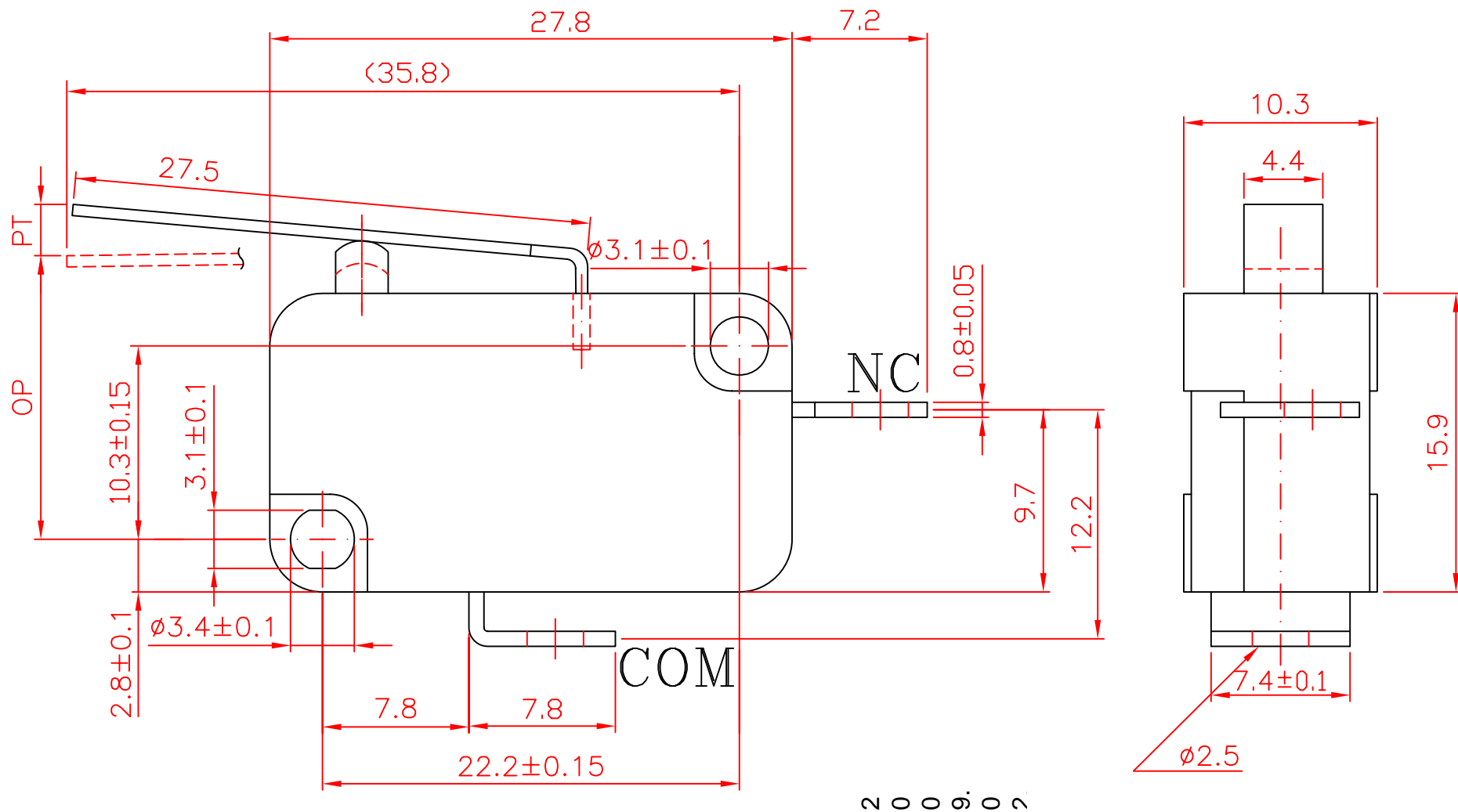
3. Environments

Operating Temperature	:	-40°C~125°C	
Storage Temperature	:	-25°C~85°C	
Storage Humidity	:	at 40°C, Max. 85% R.H	2008.08.14
Vibration Resistance	:	10~55Hz, displacement 0.75mm(p-p)	
Shock Resistance	:	Destruction: 1,000 m/s ² {approx. 100G} max. Malfunction: 300 m/s ² {approx. 30G} max.	
Soldering by hand	:	350 °C maximum within 5 seconds.	

4. Product Drawing

: [Dimensions drawing](#)
[Marking drawing](#)

Dimensions drawing



Tolerance	
X.X	± 0.2
XX.X	± 0.4

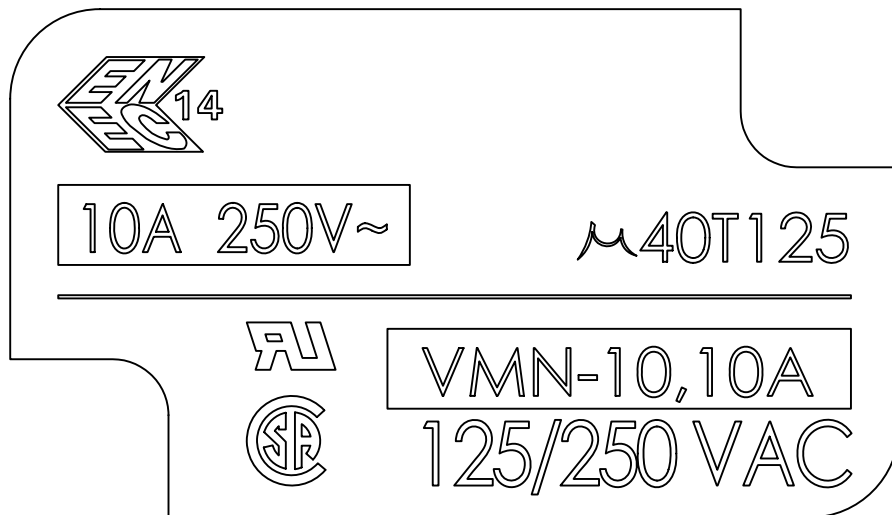
--	--	--	--	--	--

新巨企業股份有限公司

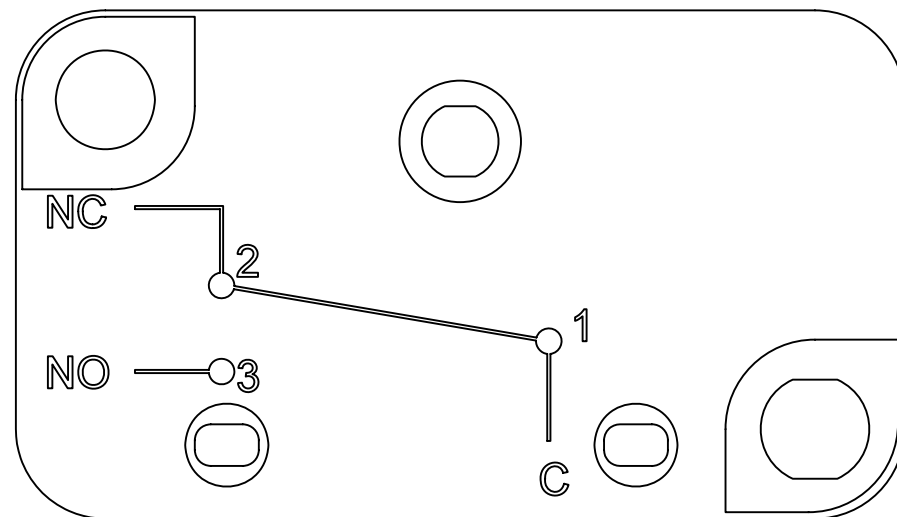
VIEW		SIZE	A4	UNIT	mm
DATE	FEB.10.2009	VER.	1.1	FILE NAME	VMN-02A2-R
APPROVAL	陳立業	CONFIRM	沈俊榮	DESIGN	柯明家

Marking drawing
VMN-10

20 08 .0. 6. 30



COVER



CASE

△										
	DATE	APPROVAL	DESIGN	ENGINEERING CHANGE DESCRIPTION	VIEW		SIZE	A4	UNIT	mm
新巨企業股份有限公司					DATE	JUN-30-2008	VER.	1.1	FILE NAME	VMN-10
					APPROVAL	陳立業	CONFIRM	林佩貞	DESIGN	張哲維