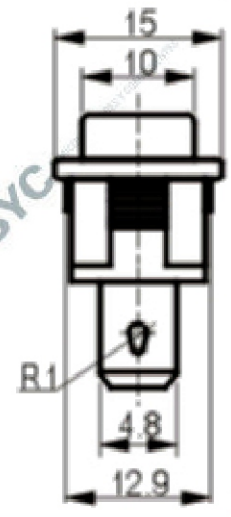
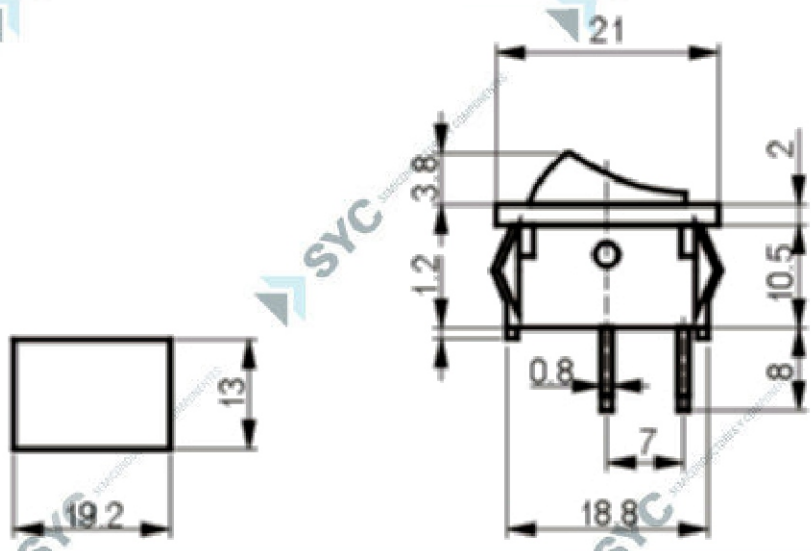
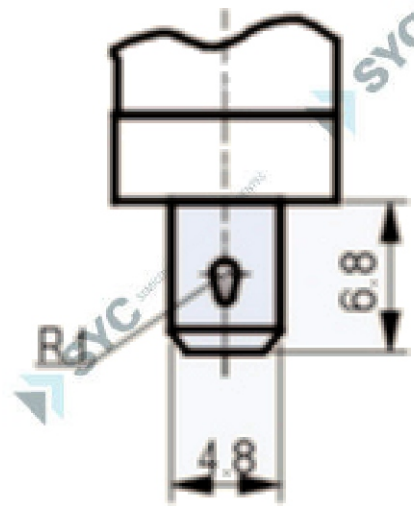


CODIGO	DESCRIPCION
TECLA-TR05-X	TECLA ON-OFF SPST 3A 21X15

Specification:

1. Rating: ()6A 125VAC;3A 250VAC
2. Contact Resistance: 35mΩ max.
3. Insulation Resistance: 500VDC 100mΩ min.
4. Dielectric Strength: 1500VAC, 1Minute
5. Operating Temperature: -30°C~+80°C
6. Electrical Life: 10,000 Cycles



unit:mm