



AR-NEMA17 MOTOR PASO A PASO 5KGCM 1.8* 47MM
1.8° Nema 17, Size 42mm High Torque Hybrid Stepping Motor

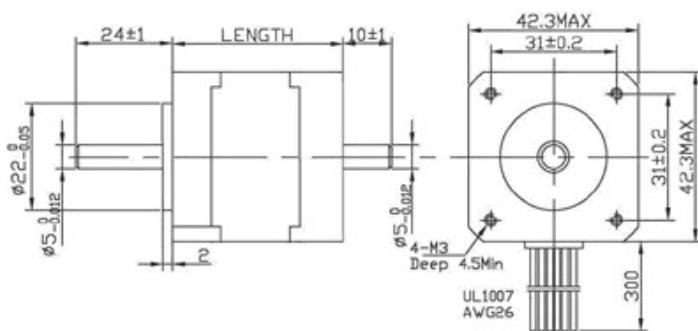
Technique Parameter

Item	Specification
Step Angle Accuracy	±5% (full step,no load)
Resistance Accuracy	±10%
Inductance Accuracy	±20%
Temperature Rise	80 Max.(rated current,2 phase on)
Ambient Temperature	-10 -+50
Insulation Resistance	100MΩMin.500VDC
Dielectric Strength	500VAC for one minute
Shaft Radial Play	0.06Max.(450 g-load)
Shaft Axial Play	0.08Max.(450 g-load)

Technique Specification

Model No.		Rated Voltage	Current /Phase	Resistance /Phase	Inductance /Phase	Holding Torque		#Of Leads	Rotor Inertia	Weight	Length
Single Shaft	Double Shaft	V	A	Ω	mH	Oz	ing-cm		g-cm2	Kg	mm
SM42HT47-1684A	SM42HT47-1684B	2.8	1.68	1.65	2.8	62	4400	4	68	0.35	47

Dimensions



Wiring Diagram

