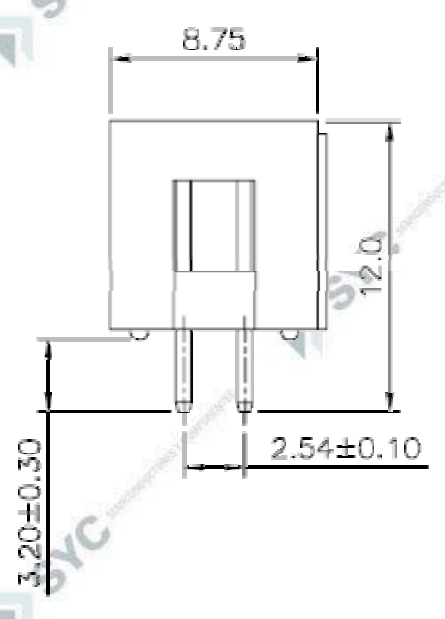
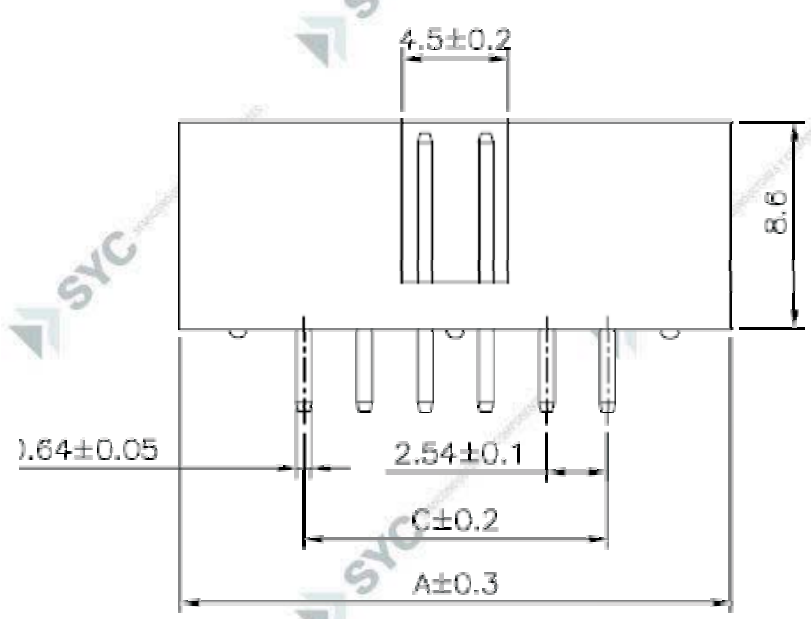
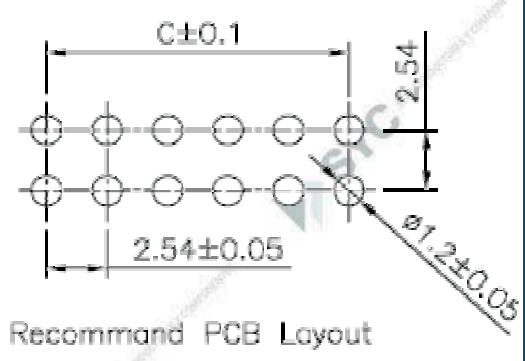
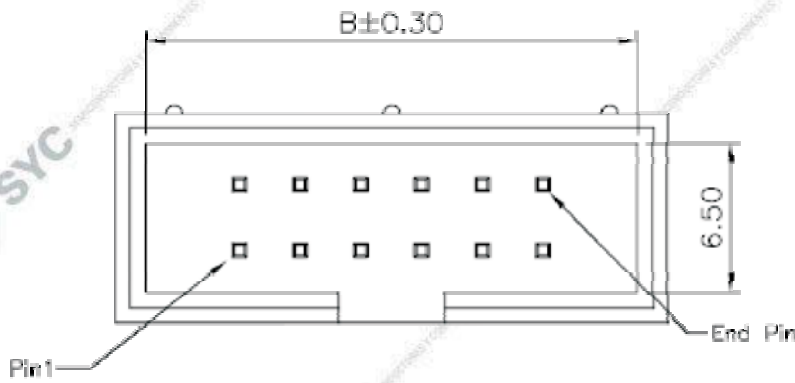


CODIGO	DESCRIPCION
SCMXXS-W	Macho p/CI sin orejas recto de 2*X vias



■ SPECIFICATIONS

- Voltage Rating : 250V AC/DC
- Current Rating : 3A AC/DC
- Withstanding Voltage : 1000V AC/minute
- Insulation Resistance : 1000M Ω min
- Temperature Range : - 40°C to + 105°C
- Contact Resistance : 20m Ω max

■ BOX HEADER

- Poles : 6-64
- Material : Contact : Brass, Gold Plated
Base : PBT UL94V-0
- Q' ty : 1000 pcs./PVC Box

Poles	Dimensions (mm)		
	A	B	C
6	15.24	12.94	5.08
8	17.78	15.48	7.62
10	20.32	18.02	10.16
12	22.86	20.56	12.70
14	25.40	23.10	15.24
16	27.94	25.64	17.78
20	33.02	30.72	22.86
24	38.10	35.80	27.94
26	40.64	38.34	30.48
30	45.72	43.42	35.56
34	50.80	48.50	40.64
40	58.42	56.12	48.26
44	63.50	61.20	53.34
50	71.12	68.82	60.96
60	83.82	81.52	73.66
64	88.90	86.60	78.74