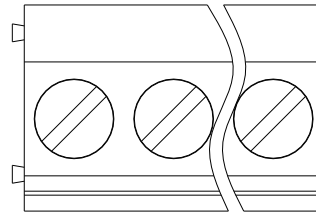
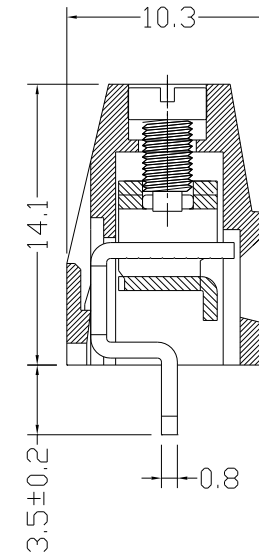
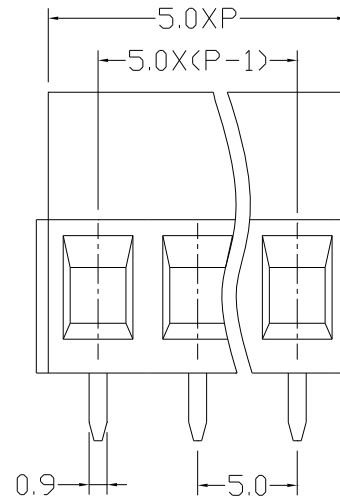


XEK500V-XP

BORNERA X POLOS PASO 5MM 10AMP



250V 10A 2.5mm²

Poles: 2P/3P/4P/5P

Pitch: 5.0mm

Pin Dimension: 0.8X0.9mm

Materials

Housing: Polyamide 6.6, Green

Solder Pin: Brass, 0.8t, Tin Plated.

Wire Cage: Steel, 0.7t, Zinc Plated.

Screw: M2.5, Steel, Zinc Plated.