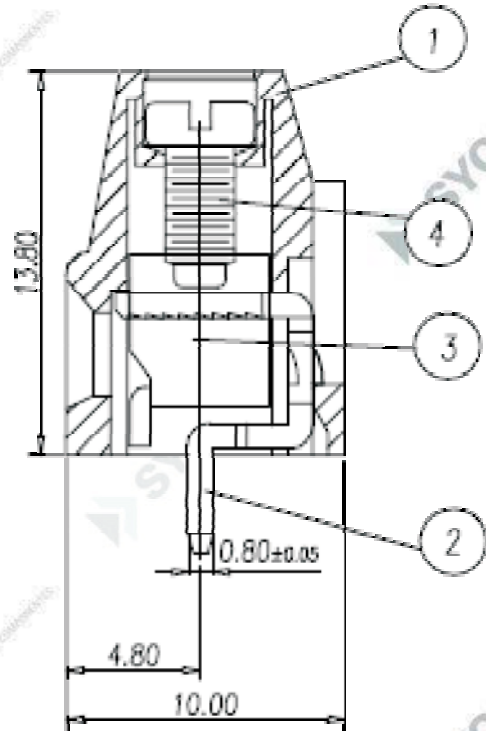
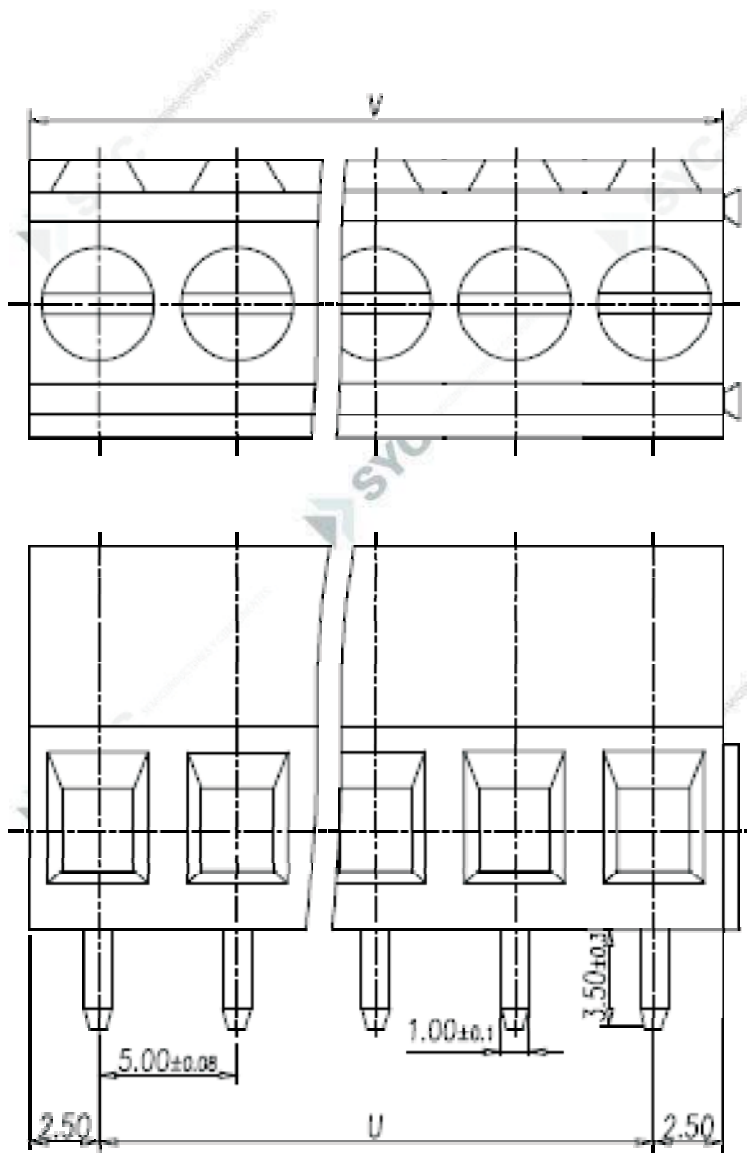


**CODIGO**


EK500V-XXP

**DESCRIPCION**

Bornera de X polos paso 5mm de 10 amperes



**NOTES:**

1. Rating: 300V 20A (IEC250V 10A)  
PITCH: 5mm
2. Insulation Withstands Voltage:  
AC 2000V/MIN
3. Insulation Resistance:  
500M Ω or more at DC500V
4. Using Temperature Range:  
-40°C~+105°C
5. Suitable Electric Wire:  
24~12AWG (IEC 0.5~2.5mm<sup>2</sup>)
6. Torque Value: ~~5 kdt-cm~~ 
7. Undimensioned Tolerances:

—	∩	∇	0.05/10
⊥	//	≡	0.2/10
PITCH ERROR			0.05/10
UNDIMENSIONED TOLERANCES			±0.3

P	2	3	4	5	6	7	8	9	10	11	12	13
U	5.00	10.00	15.00	20.00	25.00	30.00	35.00	40.00	45.00	50.00	55.00	60.00
V	10.00	15.00	20.00	25.00	30.00	35.00	40.00	45.00	50.00	55.00	60.00	65.00
P	14	15	16	17	18	19	20	21	22	23	24	25
U	65.00	70.00	75.00	80.00	85.00	90.00	95.00	100.00	105.0	110.00	115.00	120.00
V	70.00	75.00	80.00	85.00	90.00	95.00	100.00	105.0	110.00	115.00	120.00	125.00

Tolerances for PITCH ERROR