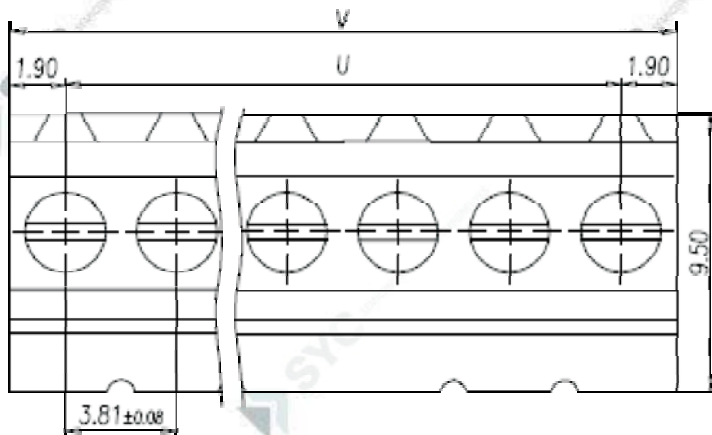


CODIGO

EEK381V-XXP

DESCRIPCION

Bornera de X polos paso 3.81mm

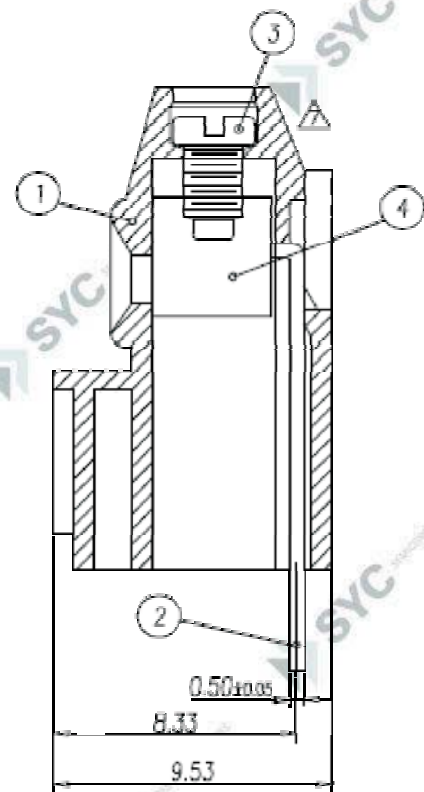
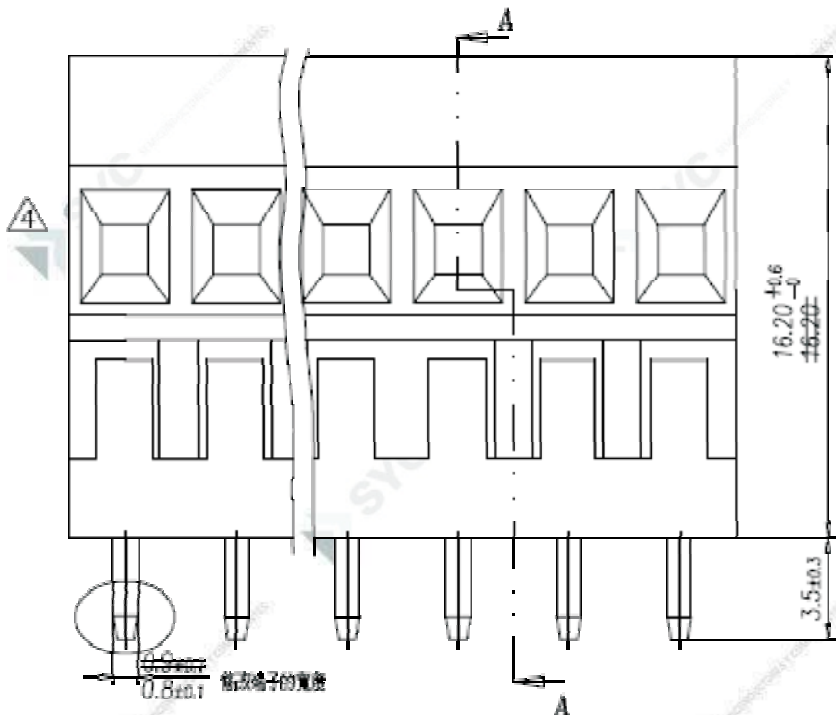


NOTES:

1. Rating: 300V ~~12A~~ 
2. Insulation Withstands Voltage: AC 1500V/MIN
3. Insulation Resistance: 500MΩ or more at DC500V
4. Using Temperature Range: -40°C~+105°C
5. Screw Torque Value: 2kgf-cm
6. Suitable Electric Wire: AWG ~~24~42~~  30~16 
7. Undimensioned Tolerances:

—	∩	∩	0.05/10
∩	∩	∩	0.2/10
PITCH ERROR			0.05/10
UNDIMENSIONED TOLERANCES			±0.3

8. 表面處理為鍍噴沙



SECTION A-A

P	2	3	4	5	6	7	8	9	10	11	12	13	14
U	3.81	7.62	11.43	15.24	19.05	22.86	26.67	30.48	34.29	38.1	41.91	45.72	49.53
V	7.61	11.42	15.23	19.04	22.85	26.66	30.47	34.28	38.09	41.9	45.71	49.52	53.33
P	15	16	17	18	19	20	21	22	23	24	25	26	27
U	53.34	57.15	60.96	64.77	68.58	72.39	76.2	80.01	83.82	87.63	91.44	95.25	99.06
V	57.14	60.95	64.76	68.57	72.38	76.19	80.0	83.81	87.62	91.43	95.24	99.05	102.86
P	28	29	30	31	32	33	34	35	36				
U	102.87	106.68	110.49	114.3	118.11	121.92	125.73	129.54	133.35				
V	106.67	110.48	114.29	118.1	121.91	125.72	129.53	133.34	137.15				

TOLERANCES FOR PITCH ERROR