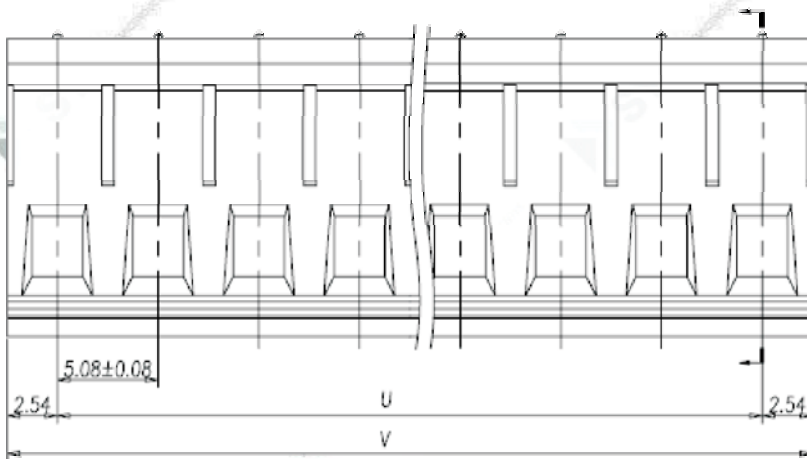
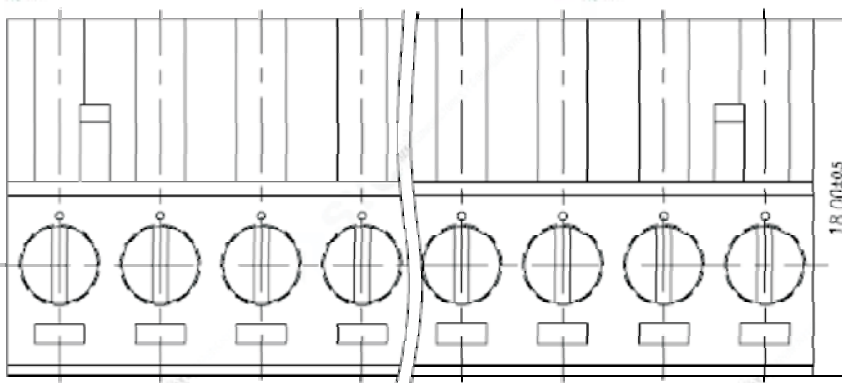


CODIGO

2ESDV-XXP

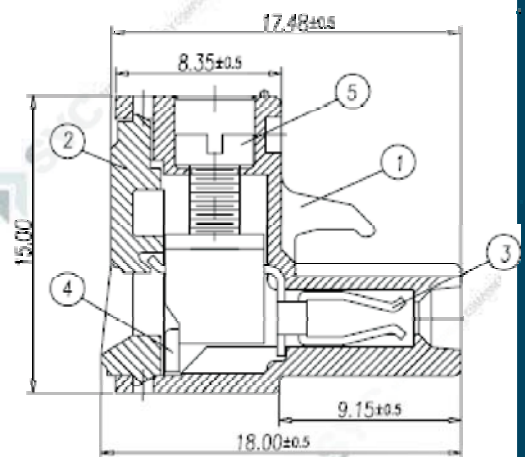
DESCRIPCION

Enchufable hembra a cable paso .2" de X vias


NOTES:

1. Rating: 300V 15A(IEC 250V 12A)
PITCH: 5.08mm
2. Insulation Withstands Voltage:
AC 1500 V/MIN
3. Insulation Resistance:
500MΩ or more at DC500V
4. Using Temperature Range:
-40°C~+105°C
5. Screw Torque Value: 5kg-cm
6. Suitable Electric Wire:
AWG 24~12(IEC 2.5mm²)
28~12(IEC 4.0~6.6mm²)
28~12(IEC 0.5~1.5mm²)
7. Undimensioned Tolerances:

—	∩	∇	0.05/10
∩	//	≡	0.2/10
PITCH ERROR			0.05/10
UNDIMENSIONS TOLERANCES			±0.3



P	2	3	4	5	6	7	8	9	10	11	12	13
U	5.08	10.16	15.24	20.32	25.40	30.48	35.56	40.64	45.72	50.80	55.88	60.96
V	10.16	15.24	20.32	25.40	30.48	35.56	40.64	45.72	50.80	55.88	60.96	66.04
P	14	15	16	17	18	19	20	21	22	23	24	25
U	66.04	71.12	76.20	81.28	86.36	91.44	96.52	101.6	106.68	111.76	116.84	121.92
V	71.12	76.20	81.28	86.36	91.44	96.52	101.6	106.68	111.76	116.84	121.92	127.00