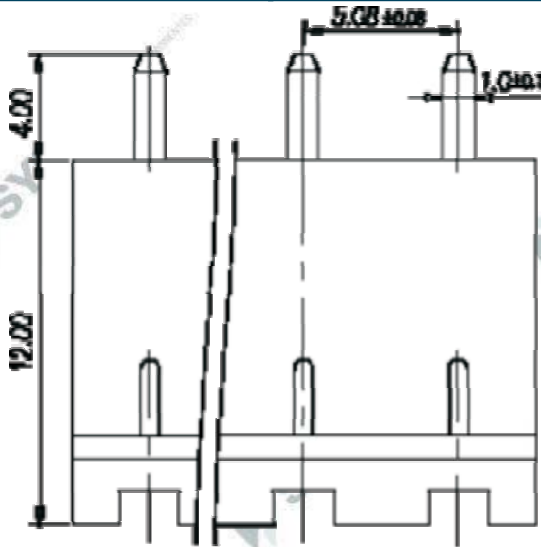


CODIGO

DESCRIPCION

2EHDV-XXP

Enchufable macho a pcb paso .2" recto de X vias

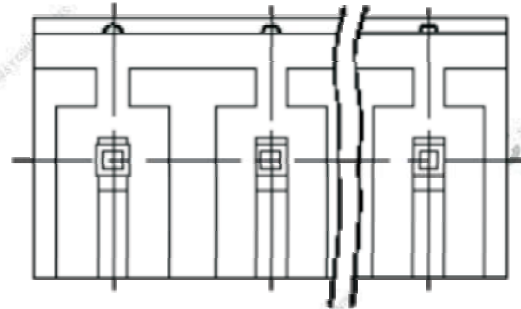
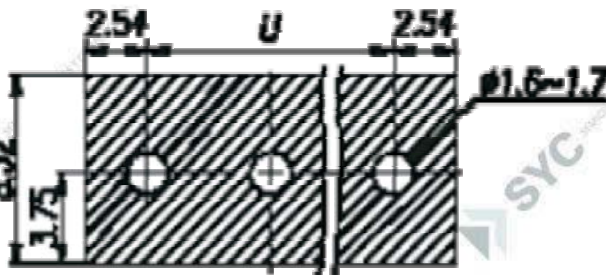


NOTES:

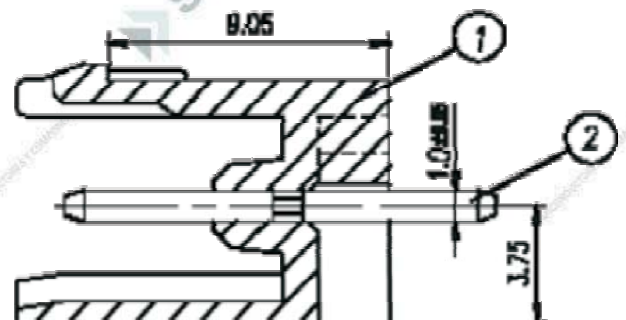
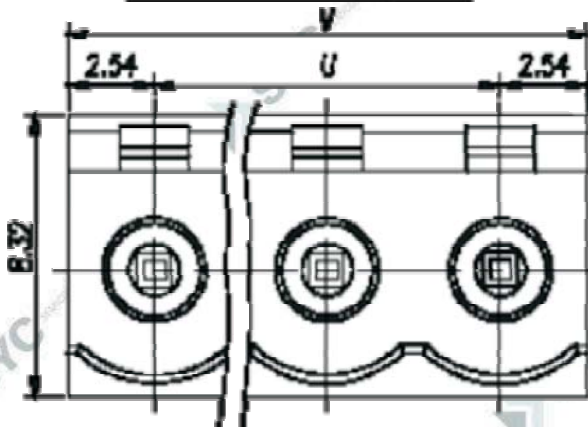
1. Rating: 300V 15A(IEC 250V 12A)
PITCH: 5.08mm
2. Insulation Withstands Voltage:
AC 1500V/MIN
3. Insulation Resistance:
500MΩ or more at DC500V
4. Using Temperature Range:
-40°C~+105°C
5. Undimensioned Tolerances:

—	∩	∇	0.08/10
⊥	//	≡	0.2/70
PITCH ERROR			0.05/10
UNDIMENSIONED TOLERANCES			±0.3

6. 



P.C.B. LAYOUT(REF)



P	2	3	4	5	6	7	8	9	10	11	12	13
U	5.08	10.16	15.24	20.32	25.40	30.48	35.56	40.64	45.72	50.80	55.88	60.96
V	10.16	15.24	20.32	25.40	30.48	35.56	40.64	45.72	50.80	55.88	60.96	66.04
P	14	15	16	17	18	19	20	21	22	23	24	25
U	66.04	71.12	76.20	81.28	86.36	91.44	96.52	101.6	106.68	111.76	116.84	121.92
V	71.12	76.20	81.28	86.36	91.44	96.52	101.6	106.68	111.76	116.84	121.92	127.00

