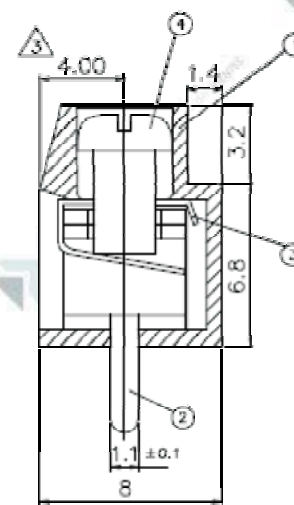
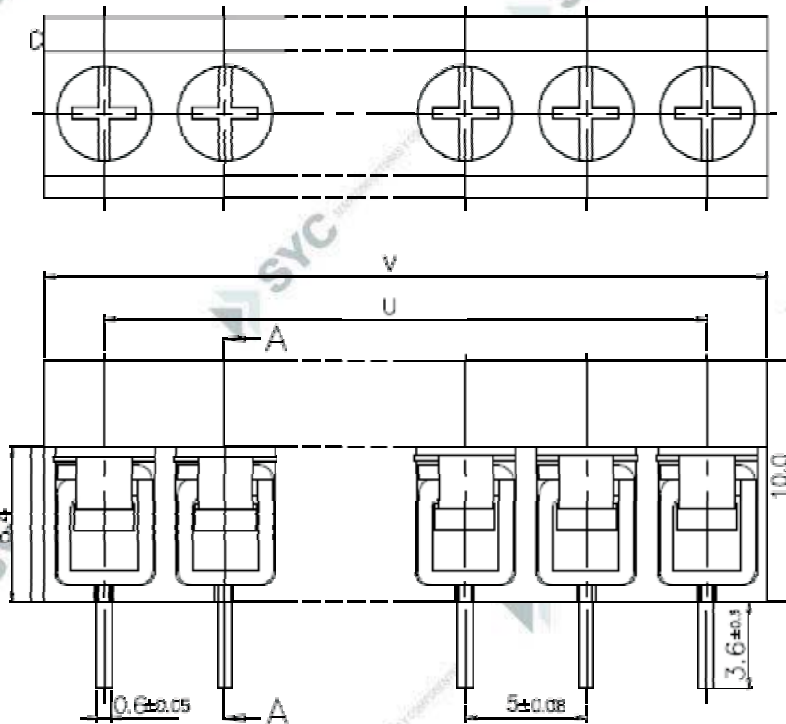


**CODIGO**

DT-126VP-XXP

**DESCRIPCION**

Bornera de X polos paso 5mm 8A


**SECTION A-A**
**NOTES:**

1. Rating: ~~250V~~ 300V 8A (IEC250V 10A)  
PITCH: 5.00mm
2. Insulation Withstands Voltage: AC 2000V/MIN
3. Insulation Resistance: 500MΩ or more at DC500V
4. Using Temperature Range: -40°C ~ +105°C
5. Suitable Electric Wire: 26~14 AWG (IEC0.5~1.5mm<sup>2</sup>)
6. Torque Value: ~~4kg-cm~~ 5kgf-cm
7. Undimensioned Tolerances:

—	∅	∅	0.05/10
⊥	//	≡	0.2/10
PITCH ERROR			0.05/10
UNDIMENSIONED TOLERANCES			±0.3

P	2	3	4	5	6	7	8	9	10	11	12	13	14	15	16	17	18	19
U	5.00	10.00	15.00	20.00	25.00	30.00	35.00	40.00	45.00	50.00	55.00	60.00	65.00	70.00	75.00	80.00	85.00	90.00
V	10.00	15.00	20.00	25.00	30.00	35.00	40.00	45.00	50.00	55.00	60.00	65.00	70.00	75.00	80.00	85.00	90.00	95.00
P	20	21	22	23	24	25	26	27	28	29	30	31	32	33	34	35	36	
U	95.00	100.00	105.00	110.00	115.00	120.00	125.00	130.00	135.00	140.00	145.00	150.00	155.00	160.00	165.00	170.00	175.00	
V	100.00	105.00	110.00	115.00	120.00	125.00	130.00	135.00	140.00	145.00	150.00	155.00	160.00	165.00	170.00	175.00	180.00	

Tolerances for PITCH ERROR